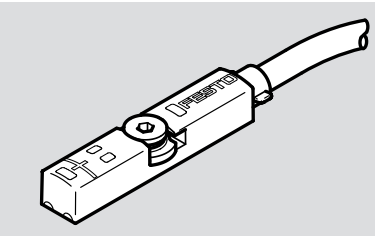


SMT-8M-A-NO-24V-E-...

Proximity sensor



FESTO

Festo SE & Co. KG
Rüter Straße 82
73734 Esslingen
Deutschland
+49 711 347-0

www.festo.com

Operating instructions

8159947
2021-06a
[8159949]



Translation of the original instructions

© 2021 all rights reserved to Festo SE & Co. KG

1 About this document

1.1 Applicable documents

All available documents for the product → www.festo.com/sp.

2 Safety

2.1 Safety instructions

– Before working on the electrical system: switch off the power supply.

⚠ WARNING

Risk of injury due to electric shock.

- For the electric power supply, use only PELV circuits that ensure a reliable electric disconnection from the mains network.
- Observe IEC 60204-1/EN 60204-1.

2.2 Intended use

This product is intended for sensing the position of magnets (e.g. the piston position) in products from Festo. The device is intended for use in an industrial environment.

2.3 Area of application and approval

In combination with the UL inspection mark on the product, the information in this section must also be observed in order to comply with the certification conditions of Underwriters Laboratories Inc. (UL) for USA and Canada.

UL approval information	
Product category code	NRKH, NRKH7
File number	E232949
Considered standards	UL 60947-1, CAN/CSA C22.2 No. 60947-1 UL 60947-5-2, CAN/CSA C22.2 No. 60947-5-2
UL mark	Industrial Control Equipment 2MD1

Tab. 1: UL approval information

Only for connection to a NEC/CEC Class 2 supply.

The device shall be supplied from an isolating transformer having a secondary listed fuse rated 1 A.

3 Mounting instructions

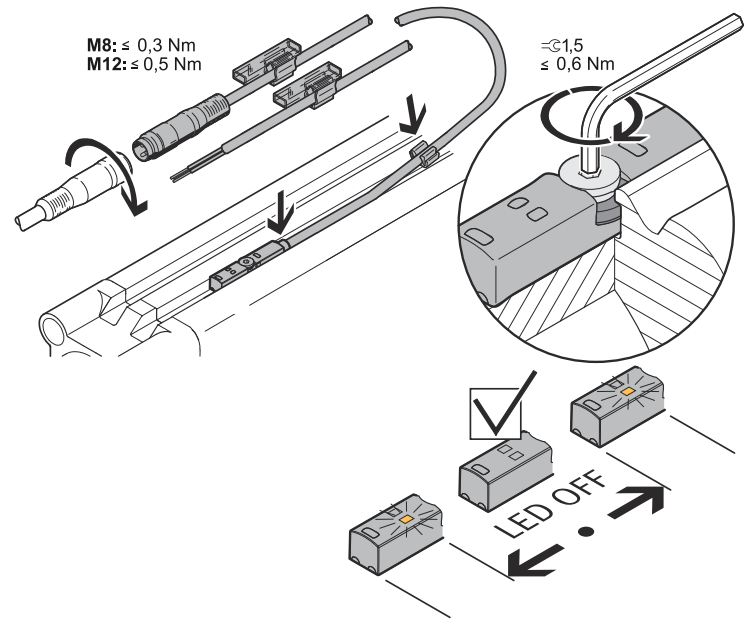


Fig.1

4 Electrical connection

SMT-8M-A-NO-24V-E-...		
M8/M8D	M12	OE

Tab. 2

5 Technical data

SMT-8M-A-NO-...		
Operating voltage range	[V AC/DC]	5 ... 30
Max. output current	[mA]	100
Max. switching capacity	[W]	2.8
Ambient temperature	[°C]	-40 ... +85
Ambient temperature with flexible cable installation	[°C]	-20 ... +85
Degree of protection		IP65, IP68, IP69k

Tab. 3