

Piab gives you service all over the world.
To find your local distributor, please visit www.piab.com.

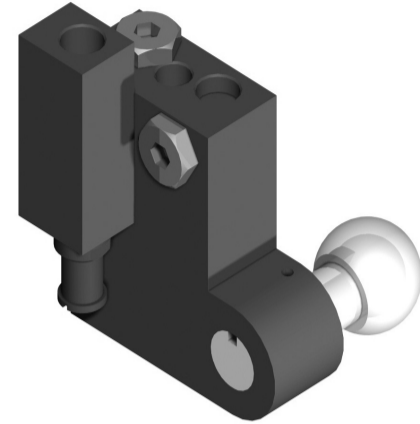
No need to compromise.

www.piab.com

Art. No. 0120989, Rev.03
Piab AB, 2015-06 / Printed in Sweden by Elanders

MANUAL

PMAT Function attachments



(GB) Safety
(DK) Advarselsymboler
(DE) Warnsymbole
(ES) Señales de advertencia

(FR) Sécurité
(IT) Segnali di avvertenza
(NL) Waarschuwings-
symbolen
(NO) Sikkerhet

(PT) Sinais Avisadores
(SE) Säkerhet
(FI) Varoitusmerkit



- Vacuum force
- Vakuumkraft
- Vakuumkraft
- Fuerza de vacío
- Force d'aspiration
- Potenza di aspirazione
- Vacuumkracht
- Vakuumkraft
- Vácuo ligado
- Vakuumkraft
- Voimakas imu
- 真空力



- Exhaust
- Udblæs
- Abluft
- Aire procedente
- Evacuation de l'air
- Aria di scarico
- Uitlaatlucht
- Eksos
- Salida de ar
- Utblås
- Poistoilma
- 排気



- Unrestricted exhaust
- Forbudt blokere udblæsningerne
- Abluft nicht blockieren
- Prohibido bloquear la salida del aire
- Interdit de bloquer l'évacuation de l'air
- Lo scarico della pompa non deve essere ostruito
- Pompuitlaat vrijhouden
- Forbudt å blokkere eksos
- O escape da bomba deve ser livre
- Förbjudet blockera utblås
- Ulospuhalluksen esto kielletty
- 排気口を塞がないで下さい。

(GB) Warranty
(DK) Garanti
(DE) Garantie
(ES) Garantía

(FR) Garantie
(IT) Garanzia
(NL) Garantie
(NO) Garanti

(PT) Garantia
(SE) Garanti
(FI) Takuu
(日) 保証に関して

(GB) The Piab Vacuum Pump has a 5 year warranty against manufacturing defects. The warranty is valid for the vacuum pump only and covers no other costs.

(DK) Piab vakuumpumper har 5 års garanti mod fabrikationsfejl. Garantien gælder kun vakuumpumperne, men ikke andre omkostninger eller fragtomkostninger.

(DE) Bei Herstellungsfehlern an der Piab Vakuumpumpe geben wir 5 Jahre Garantie. Verschleißteile wie z.B. Filter sind ausgeschlossen.

(ES) La bomba de vacío Piab tiene una garantía de 5 años contra defectos de fabricación. La garantía es válida para la bomba de vacío solamente sin cubrir gastos extras.

(FR) La pompe à vide Piab est garantie 5 ans contre les défauts de fabrication. La garantie est valable uniquement pour la pompe, et ne couvre pas d'autres frais, par exemple les frais d'expédition.

(IT) La pompa a vuoto Piab ha 5 anni di garanzia contro i difetti di fabbricazione. La garanzia e' valida solo per la pompa a vuoto e non copre altri costi.

(NL) Piab vacuümpompen hebben een garantietermijn tegen fabricagefouten van 5 jaar. De garantie geldt alleen voor de pomp en dekt geen andere kosten.

(NO) Piab Vakuumpumper har 5 års garanti mot fabrikkasjonsfeil. Garantien gjelder kun vakuumpumperne og dekker ikke andre kostnader eller fraktkostnader.

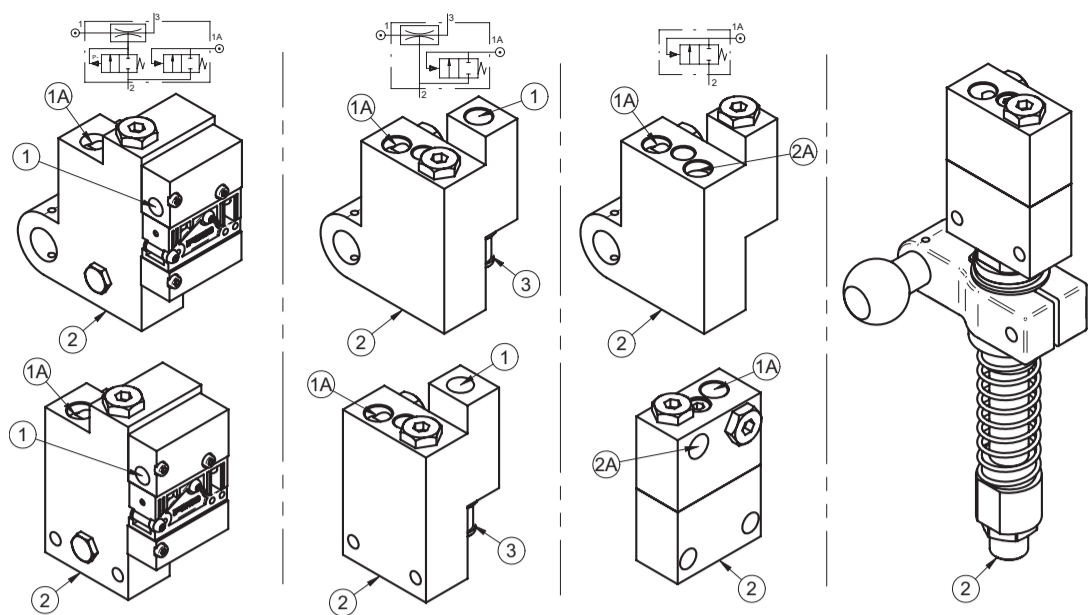
(PT) As bombas de vacuo Piab têm 5 anos de garantia contra defeitos de fabrico. A garantia e' válida somente para as bombas de vacuo não cobrindo outros custos.

(SE) Piab Vakuumpump har 5 års garanti mot fabrikkationsfel. Garantien omfattar enbart vakuumpumper och täcker ej andra kostnader eller fraktkostnader.

(FI) Piab-tyhjöpumpuilla on 5-vuoden takuu koskien valmistusvirheitä. Takuu koskee ainoastaan tyhjöpumpua, eikä peitä muita kustannuksia taikka lähetyskuluja.

(日) ピアブのポンプには製造上の欠陥に限り五年間の保証があります。保証はポンプのみ有効です。

1. INSTALLATION / CONNECTIONS



RECOMMENDED HOSE DIMENSIONS IN MM [IN] (INTERNAL DIAMETER)

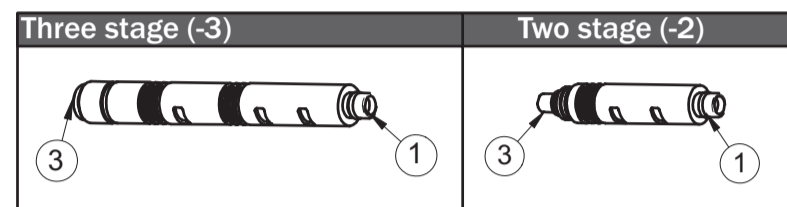
	Connections	COAX® cartridge Pi12-2
1	Compressed air	> 4 [0.16]
2	Vacuum	> 8 [0.31]
3	Exhaust	> 10 [0.39]

*Applies to hoses up to 2m (6.6 feet) long.

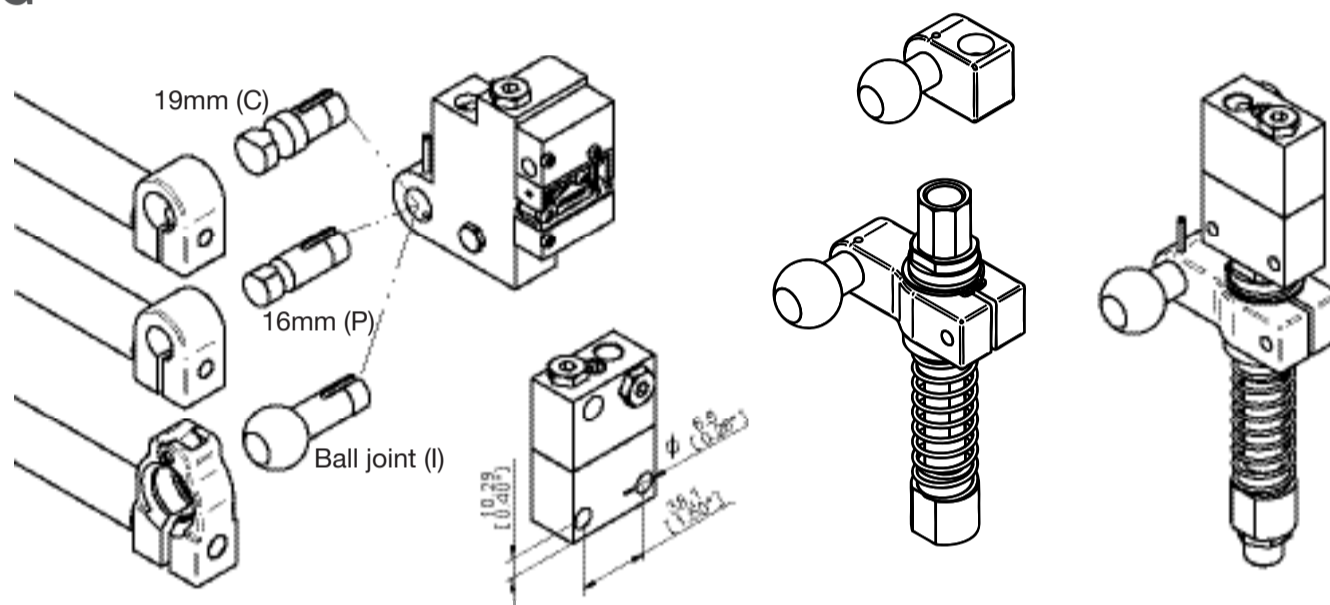
FEED PRESSURE, VACUUM LEVEL AND EXHAUST PRESSURE

COAX® cartridge Pi12-2	Feed pressure MPa [psi]	Max. vacuum -kPa [inHg]	Max. exhaust pressure MPa[psi]
Pi12-2	0.314 [45.5]	90 [26.6]	0.14 [20.3]

Centralised vacuum (VAC)	Blow off	Compressed air	Vacuum	Exhaust
2A	1A	1	2	3



2. MOUNTING



Left hand tooling view shown. Right hand tooling also available.

3. SPARE PARTS AND ACCESSORIES



	Description	Art.No.	US Ref. No.
-	Vacuum check valve internal repair kit	0116963	X8040
A	COAX® cartridge Mini Pi 12-2	0106922	
C	Cartridge holder Mini-2 cpl	0106921	
A+C	COAX® cartridge Mini Pi 12-2 C	0106924	
B	Spare part kit COAX® cartridge Mini	0109532	

PMAT Code		Function Attachment	Orientation	Mounting style					
With G-threads	With NPT-threads			With G-threads Art No.			With NPT-threads Art No./PMAT No.		
				Lock pin 16	Lock pin 19	Ball joint	Lock pin 16	Lock pin 19	Ball joint
XX1	X1	Centralised vacuum connection	LH	0119498	0110434	0110433	0121066/6005	0121068/6007	0120716/6006
XAB	AB	Vacuum check valve VT-1H	LH	0125576	0125574	0125578	0125582	0125580	0125584
XAA	AA	Vacuum check valve VT-1H COAX® cartridge Pi12-2	LH	0109276	0111147	0110435	0121026/1050	0121038/1046	0121056/1045
XEA	EA	Vacuum check valve VT-1H COAX® cartridge Pi12-2 Vacustat	LH	0120994	0120995	0119676	0121028/1071	0121040/1073	0121058/1072
XX2	X2	Centralised vacuum connection LCS	LH	0109230	0121001	0121002	0121067/6010	0121069/6020	0121070/6018
XAM	AM	Vacuum check valve VT-1H LCS	LH	0109231	0120992	0120993	0121030/6015	0121042/6024	0121060/6023
XAL	AL	Vacuum check valve VT-1H LCS COAX® cartridge Pi12-2	LH	0109278	0120991	0120990	0121032/6016	0121044/6022	0121062/6019
XBTF	BTF	Vacuum check valve VT-1H LCS COAX® cartridge Pi12-2 Vacustat	LH	0120996	0120998	0120997	0121034/6041	0121046/6045	0121064/6046
XX1RH	X1RH	Centralised vacuum connection	RH	0119498	0110434	0110433	0121066/6005	0121068/6007	0120716/6006
XABRH	ABRH	Vacuum check valve VT-1H	RH	0125575	0125573	0125577	0125581	0125579	0121055
XAARH	AARH	Vacuum check valve VT-1H COAX® cartridge Pi12-2	RH	0121007	0119573	0121018	0121025/1050RH	0121039/1046RH	0121057/1045RH
XEARH	EARH	Vacuum check valve VT-1H COAX® cartridge Pi12-2 Vacustat	RH	0121008	0121013	0119677	0121027/1071RH	0121041/1073RH	0121059/1072RH
XX2RH	X2RH	Centralised vacuum connection LCS	RH	0121212	0121208	0221210	0121213/6010RH	0121209/6020RH	0121211/6018RH
XAMRH	AMRH	Vacuum check valve VT-1H LCS	RH	0121009	0121014	0121020	0121029/6015RH	0121043/6024RH	0121061/6023RH
XALRH	ALRH	Vacuum check valve VT-1H LCS COAX® cartridge Pi12-2	RH	0121010	0121015	0121021	0121031/6016RH	0121045/6022RH	0121063/6019RH
XBTFRH	BTFRH	Vacuum check valve VT-1 LCS COAX® cartridge Pi12-2 Vacustat	RH	0121011	0121016	0121022	0121033/6041RH	0121047/6045RH	0121065/6046RH